

# Cobalt 10S

## Fiber Laser Marking System



The Cobalt 10S is ideal for those companies with lower-end applications where a traditional flash lamp laser marker might be too expensive. With the VersaScribe FL10, companies now have a compact and highly reliable fiber laser for routine marking applications.



### Features

- **30,000** hours - long life
- **Small** foot print
- **Uses industry proven** WinLase software
- **Stand alone** operation without PC
- **One year** parts and labor warranty
- **Available** in 10 watt and 20 watt
- **Compact design** for ease of integration

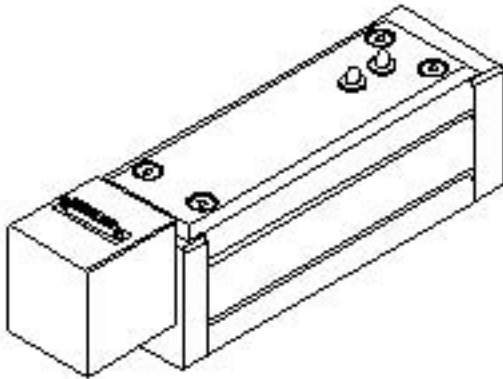
### Benefits

- **No down time** - runs 24/7
- **Uses less** valuable factory floor space
- **Industrial** strength reliability
- **No PC** on the factory floor

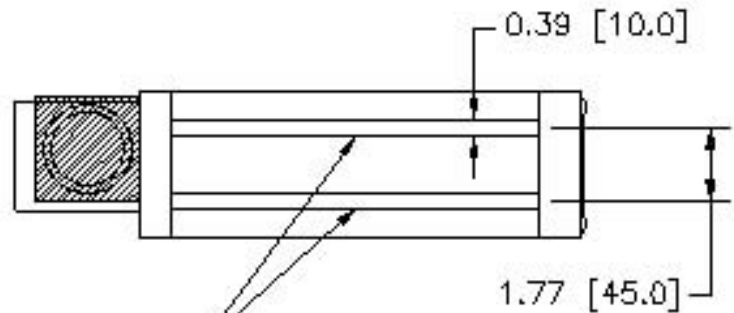


# Cobalt 10S Specifications

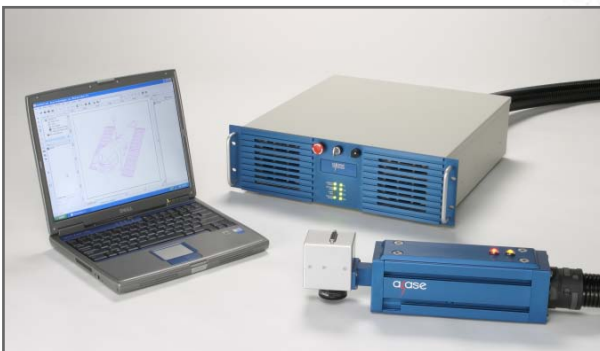
Parameter	Value	Notes
Laser Type	Fiber	
Wavelength	1070 nm	
Output Power	10W CW	20W version available
Beam Quality	TEM <sub>00</sub>	
Spot Size	See Lens Chart	
Field Size	See Lens Chart	
Scanhead Aperture Size	7mm and 10mm aperture	
Beam Expander	NA: beam diameter is fixed	
Cooling: Air	Cooling fans in power supply	
Electrical	90-250VAC 50/60 Hz, 10 amps	Other options available
Marking Repeatability	+/- 1 part in 4000	
Writing Speed	3000 mm/sec	
Throughput	250 characters per sec	Marking 1mm high characters on mirror; dependent on app



For more detailed product information, visit [www.alase.com/cobalt](http://www.alase.com/cobalt)



EXTRUSION  
MOUNTING SLOTS  
(3 SIDES)



Alase Technologies, Inc.  
7-5 Lomar Industrial Park • Pepperell, MA 01463 • USA  
[www.alase.com](http://www.alase.com) • P. 978-433-3000 FAX. 978-433-3242